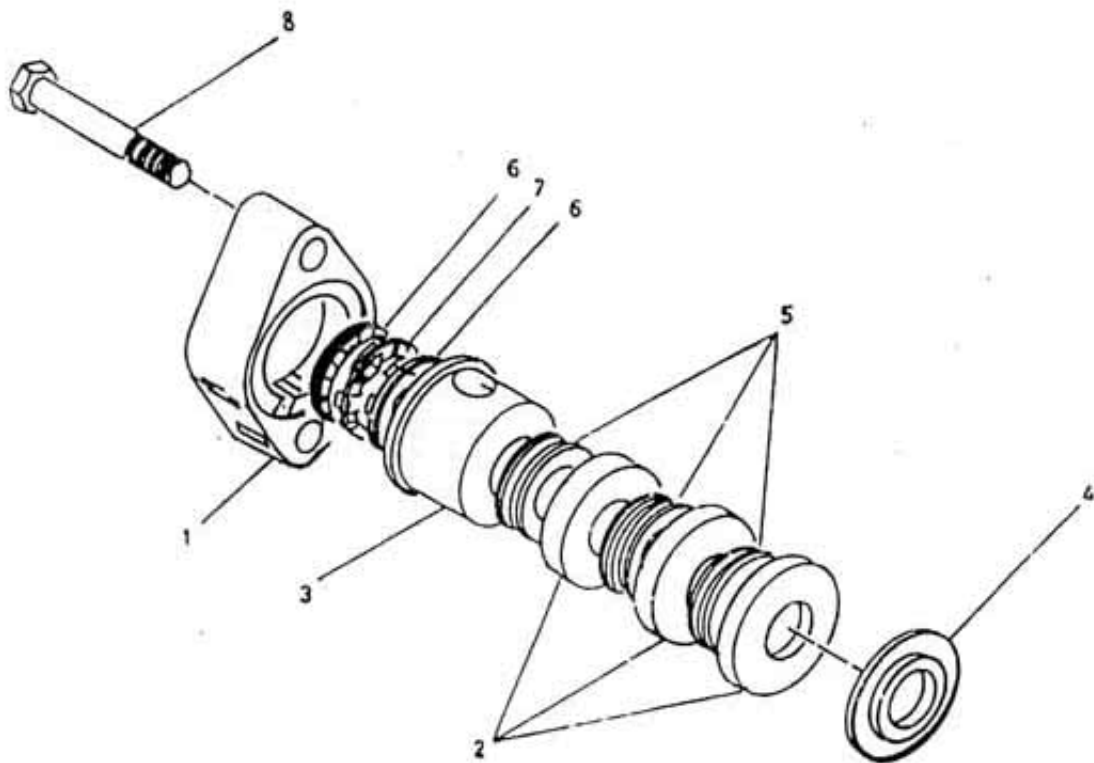


12. ASSEMBLY PACKING METALLIC - MODEL 8 x 5 LUB



All manufacturer's names, numbers, photos, product description and/or part numbers are used for reference purposes only & it is not implied that any part listed is the product of these manufacturers. Since Approvement are made from time to time, the illustration and specifications are subject to change without notice.

12. ASSEMBLY PACKING METALLIC - MODEL 8 x 5 LUB

No.	Description	Ref Part No.	QTY
–	Assembly Packing Metallic	70232707	–
1	– Flange Packing Case	94486503	1
2	– Cup Packing	97062996	3
3	– Distance Piece Packing Case	97063002	1
4	– Gasket Packing Case	39312962IM	1
5	– Ring Packing Double Acting	95050696IM	3
6	– Ring Scrapper	95009189IM	2
7	– Ring Scrapper	95018487IM	1
8	– Bolt Hex Head 5/8" X 4-1/2"	95104527	2

All manufacturer's names, numbers, photos, product description and/or part numbers are used for reference purposes only & it is not implied that any part listed is the product of these manufacturers. Since improvement are made from time to time, the illustration and specifications are subject to change without notice.